

SFP-PS3150-40DC 50G SFP56 ER Transceiver

Features

- Hot-pluggable SFP28 form factor
- Maximum link length of 40km
- Full-duplex transceiver module
- Up to 53.125Gbps (26.5625GBd PAM4)
- 53.125Gbps PAM4 based on a cooled EML TOSA transmitter
- 53.125Gbps PAM4 **APD** Receiver
- Duplex LC receptacle
- Single 3.3V power supply
- SFP56 MSA IEEE 802.3cd
- Power dissipation < 3W
- RoHS compliant (lead free)
- Operating case temperature range: 0°C to 70°C



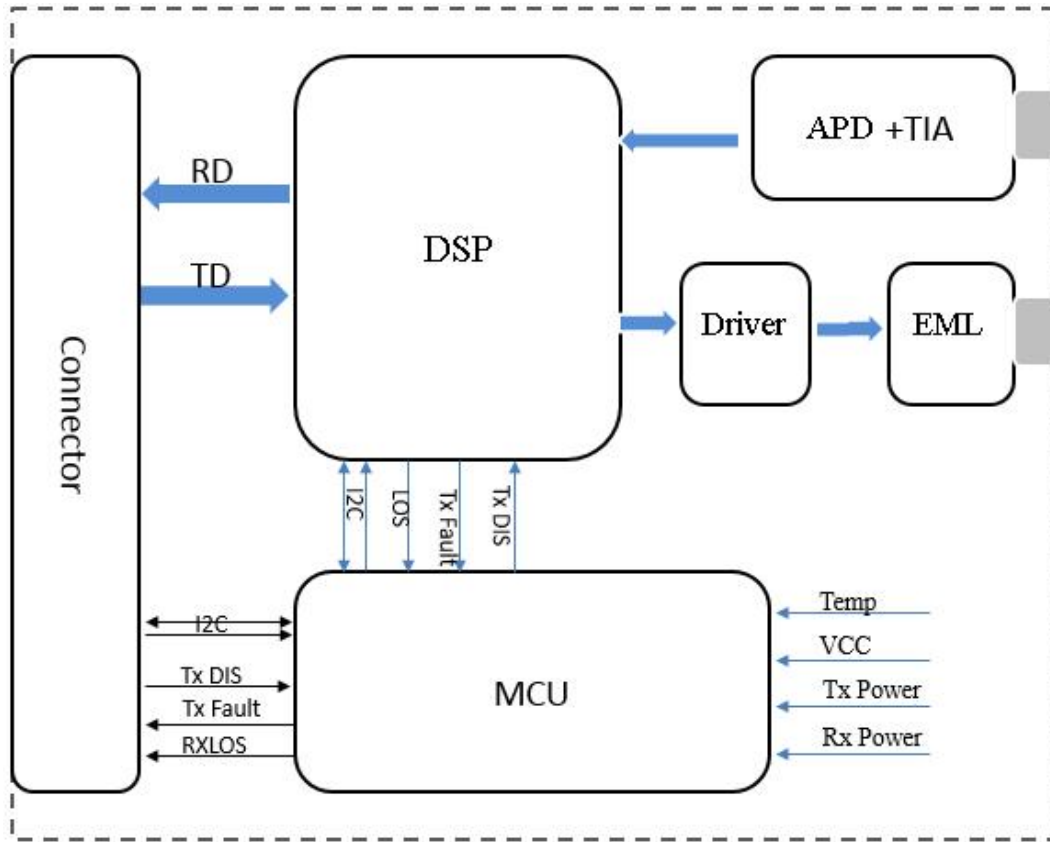
Applications

- IEEE 802.3cd 50GBASE-**ER**
- Other Optical Link

Description

The Technologies SFP-PS3150-40DC is a single-Channel, Pluggable, Fiber-Optic SFP56 for 26.5625GBd PAM4 Ethernet Applications.. It is a high performance module for short-range data communication and interconnect applications which operate at 53.125 Gbps up to 40km. This module is designed to operate over single mode fiber systems using a nominal wavelength of 1311nm. The electrical interface uses a 20 contact edge type connector. The optical interface uses duplex LC receptacle. This module incorporates Technologies proven circuit and technology to provide reliable long life, high performance, and consistent service.

Block Diagram



Absolute Maximum Ratings

Parameter	Symbol	Min	Max	Unit
Supply Voltage	Vcc	0	3.6	V
Storage Temperature	Ts	-40	+85	°C
Operating Humidity	-	5	85	%

Recommended Operating Conditions

Parameter	Symbol	Min	Typical	Max	Unit
Operating Case Temperature	Tc	0		+70	°C
Power Supply Voltage	Vcc	3.13	3.3	3.47	V
Power Dissipation	P _m			3	W

Electrical Specifications

Parameter	Symbol	Min	Typical	Max	Unit
Differential Input Impedance	Zin	90	100	110	ohm
Differential Output Impedance	Zout	90	100	110	ohm
Differential Input Voltage Amplitude ¹	ΔV_{in}			900	mVp-p
Differential Output Voltage Amplitude ²	ΔV_{out}			900	mVp-p
Input Logic Level High	V _{IH}	2.0		V _{cc}	V
Input Logic Level Low	V _{IL}	0		0.8	V
Output Logic Level High	V _{OH}	V _{cc} -0.5		V _{cc}	V
Output Logic Level Low	V _{OL}	0		0.4	V

Notes:

- 1、Differential input voltage amplitude is measured between TxnP and TxnN.
- 2、Differential output voltage amplitude is measured between RxnP and RxnN.

Optical Characteristics

Parameter	Symbol	Min	Typical	Max	Unit	Notes
Transmitter						
Centre Wavelength	λ_c	1304.5	-	1317.5	nm	-
Side-mode suppression ratio	SMSR	30	-	-	dB	-
Average launch power	P _{out}	0.6	-	6.6	dBm	-
Optical Modulation Amplitude(OMA outer)	OMA	3.4	-	7.4	dBm	-
Transmitter and dispersion eye closure(TDEC)	TDEC	-	-	3.2	dB	
Extinction Ratio	ER	6	-	-	dB	-
Average launch power of OFF transmitter		-	-	-30	dB	-
Receiver						
Centre Wavelength	λ_c	1304.5	-	1317.5	nm	-

Receiver Sensitivity in OMA outer	RXsen	-	-	-15.1	dBm	1
Average receive power	Pin	-17.6	-	-3.4	dBm	-
Receiver Reflectance		-	-	-26	dB	-
LOS Assert		-	-20	-	dBm	-
LOS De-Assert		-	-18	-	dBm	-
LOS Hysteresis		0.5	-	-	dB	-
Damage threshold				-3	dBm	

Note:

- 1、 Measured with conformance test signal at TP3 for BER = 2.4E-4 Pre-FECs

DIAGNOSTIC MONITORING INTERFACE (OPTIONAL)

The following digital diagnostic characteristics are defined over the normal operating conditions unless otherwise specified.

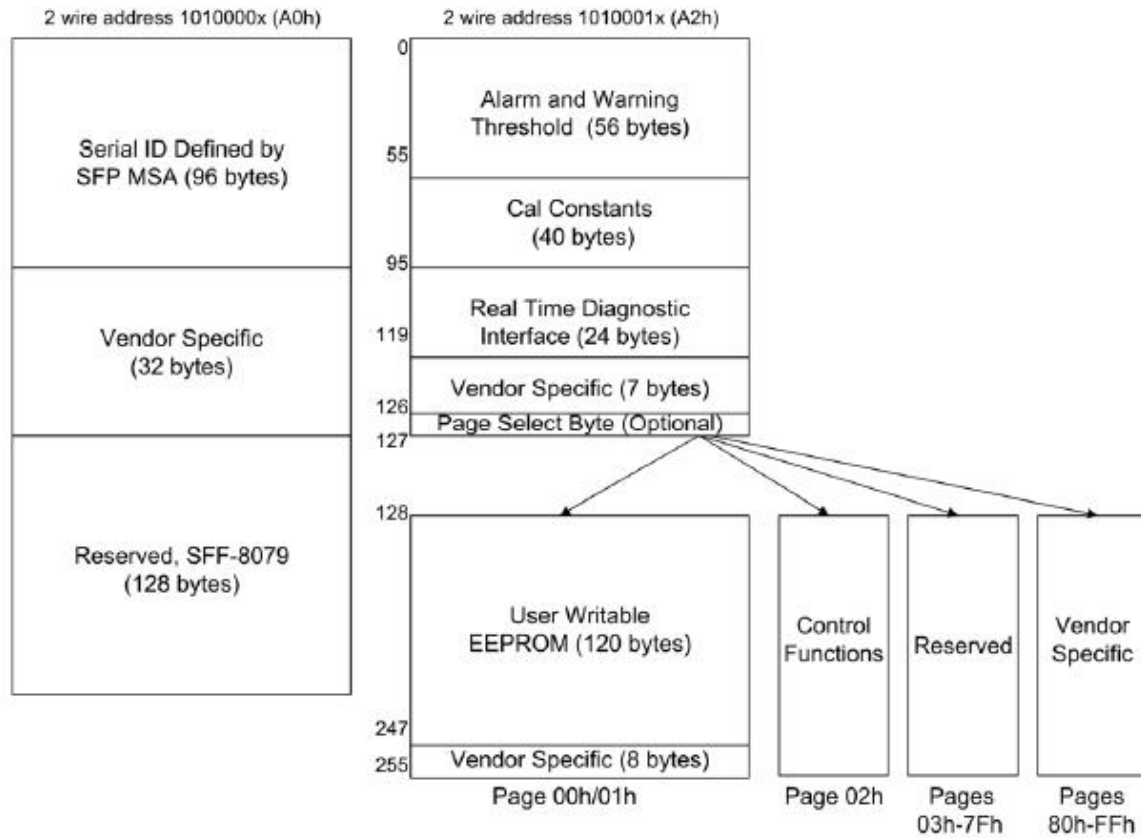
Parameter	Symbol	Min	Max	Units	Notes
Temperature monitor absolute error	DMI_Temp	-3	+3	degC	Over operating temperature range
Supply voltage monitor absolute error	DMI_VCC	-0.1	0.1	V	Over full operating range
Channel RX power monitor absolute error	DMI_RX_Ch	-2	2	dB	1
Channel Bias current monitor	DMI_Ibias_Ch	-10%	10%	mA	
Channel TX power monitor absolute error	DMI_TX_Ch	-2	2	dB	1

Notes:

- 1、 Due to measurement accuracy of different single mode fibers, there could be an additional +/-1 dB fluctuation, or a +/- 3 dB total accuracy.

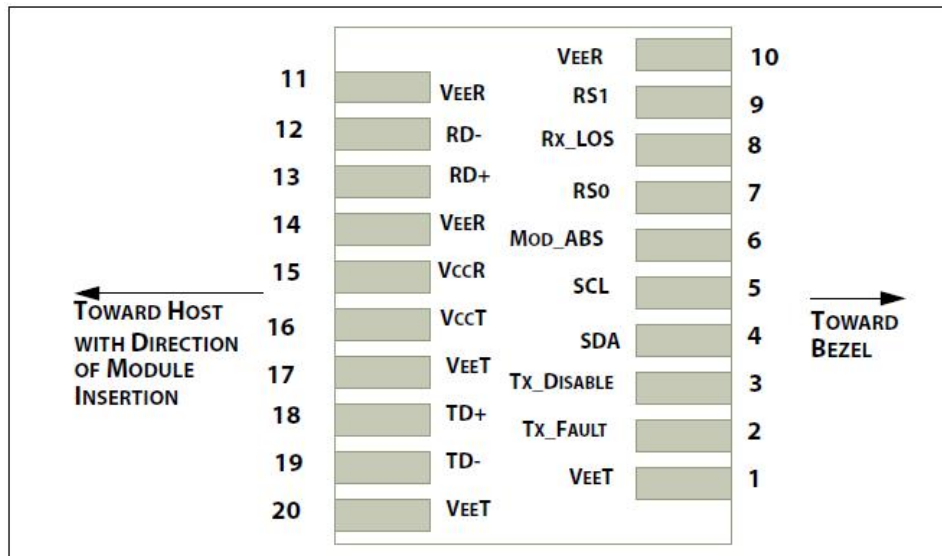
The transceivers provide serial ID memory contents and diagnostic information about the present operating conditions by the 2-wire serial interface (SCL, SDA). The memory map specific data field defines as following.

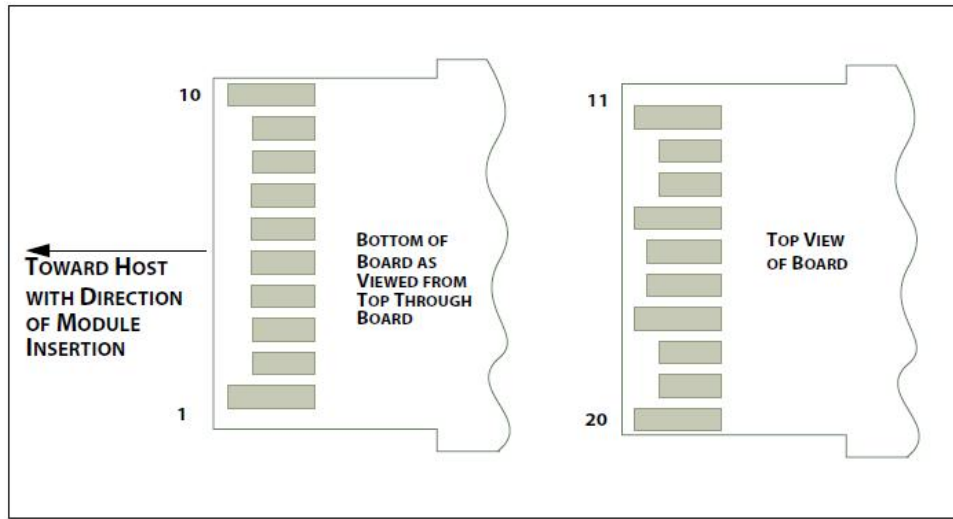
Two-wire Interface Fields



TWO-WIRE INTERFACE FIELDS

Pin Definitions





Pin Descriptions

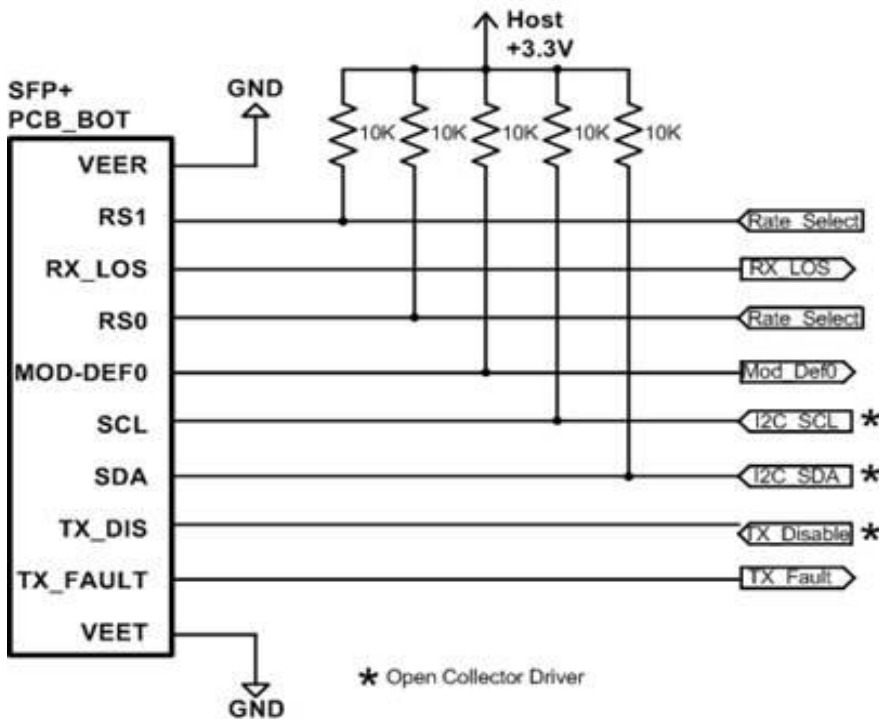
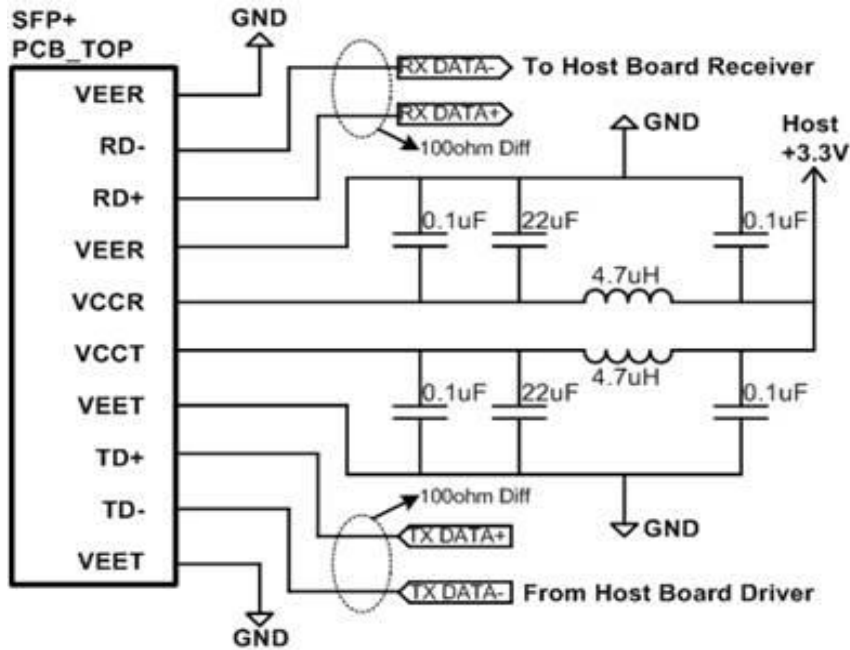
PIN	Logic	Symbol	Name / Description	Note
1		VeeT	Module Transmitter Ground	1
2	LVTTL-O	TX_Fault	Module Transmitter Fault	2
3	LVTTL-I	TX_Dis	Transmitter Disable; Turns off transmitter laser output	
4	LVTTL-I/O	SDA	2-Wire Serial Interface Data Line	2
5	LVTTL-I	SCL	2-Wire Serial Interface Clock	2
6		MOD_ABS	Module Definition, Grounded in the module	
7	LVTTL-I	RS0	Receiver Rate Select	
8	LVTTL-O	RX_LOS	Receiver Loss of Signal Indication Active LOW	
9	LVTTL-I	RS1	Transmitter Rate Select (not used)	
10		VeeR	Module Receiver Ground	1
11		VeeR	Module Receiver Ground	1
12	CML-O	RD-	Receiver Inverted Data Output	
13	CML-O	RD+	Receiver Data Output	
14		VeeR	Module Receiver Ground	1
15		VccR	Module Receiver 3.3 V Supply	

16		VccT	Module Receiver 3.3 V Supply	
17		VeeT	Module Transmitter Ground	1
18	CML-I	TD+	Transmitter Non-Inverted Data Input	
19	CML-I	TD-	Transmitter Inverted Data Input	
20		VeeT	Module Transmitter Ground	1

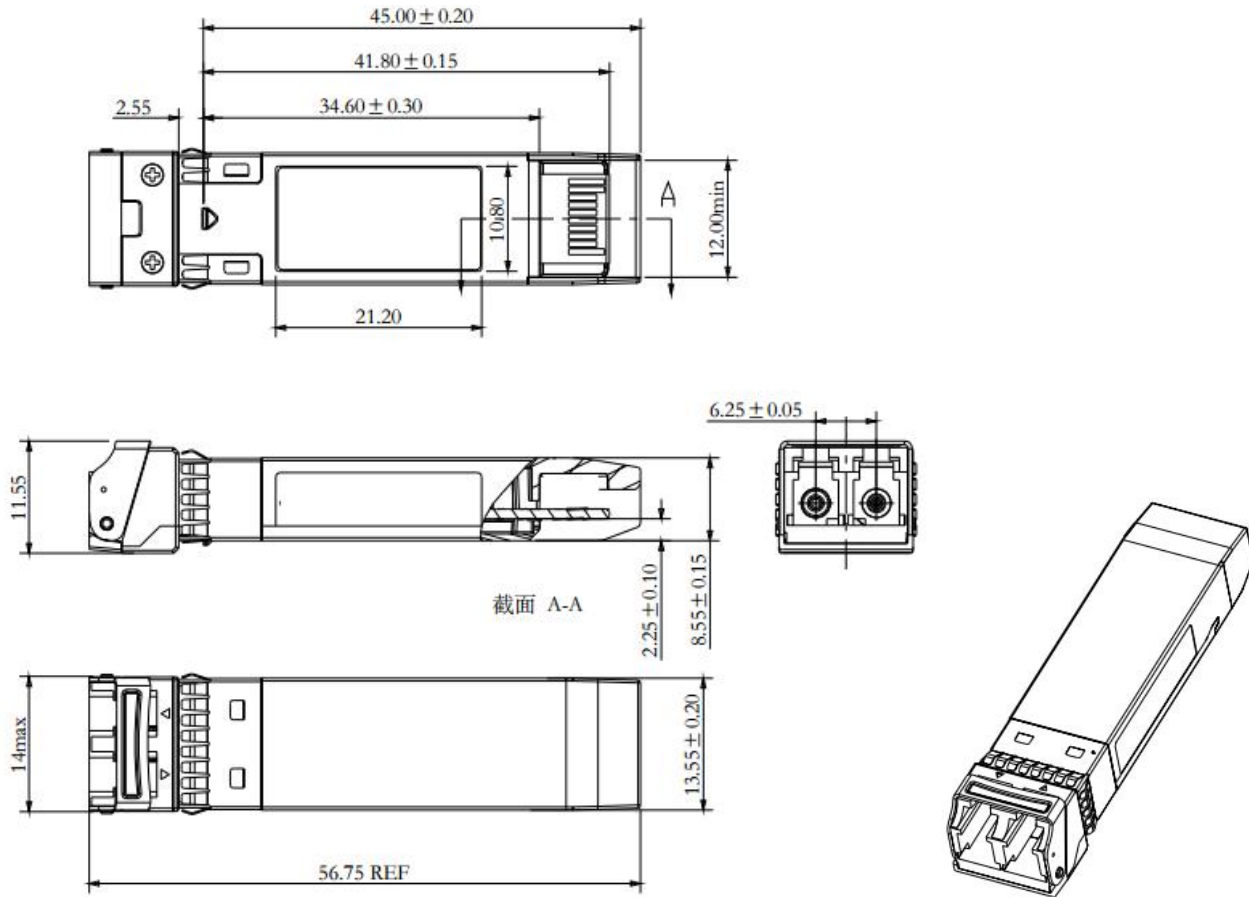
Notes:

- 1、 Module ground pins GND are isolated from the module case.
- 2、 Shall be pulled up with 4.7K-10Kohms to a voltage between 3.15V and 3.45V on the host board.

Recommended Interface Circuit



Mechanical Dimensions



Ordering information

Part Number	Product Description
SFP-PS3150-S1DC	53Gbps, 1311nm, SMF, 40km, 0°C ~ +70°C

For More Information

Tel: +86-755-23301665

E-mail : sales@fibertoptech.com

Web: <http://www.fibertopsfp.com>